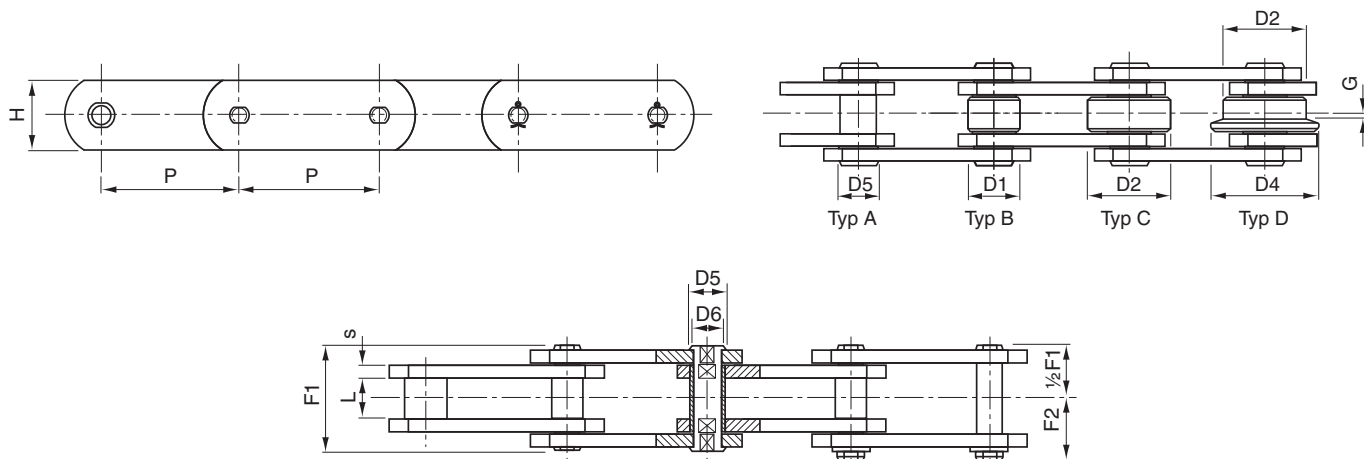


Série M - M series

Dopravní řetězy metrické - Metric Conveyor Chains (DIN 8167)

Standardní provedení serie M - Standard M Series Solid Pin



Standardní provedení - Standard Solid Pin

Č. řetězu Chain No.	Rozteč Pitch P	L	H	S	D5	D6	F1	F2	D1	D2	D4	G	Mezní zatížení Breaking Load kN	Hmotnost Mass kg/m (C)
M 40	63	20	25	4	12	8	41	24	18	36	42	8	40	4.4
"	80	"	"	"	"	"	"	"	"	"	"	"	"	3.7
"	100	"	"	"	"	"	"	"	"	"	"	"	"	3.2
"	125	"	"	"	"	"	"	"	"	"	"	"	"	2.9
M 56	63	24	30	4	15	10	49	27	21	42	50	10	56	6.8
"	80	"	"	"	"	"	"	"	"	"	"	"	"	5.7
"	100	"	"	"	"	"	"	"	"	"	"	"	"	5.0
"	125	"	"	"	"	"	"	"	"	"	"	"	"	4.4
"	160	"	"	"	"	"	"	"	"	"	"	"	"	3.9
M 80	80	28	35	5	18	12	57	31	25	50	60	12	80	9.2
"	100	"	"	"	"	"	"	"	"	"	"	"	"	7.9
"	125	"	"	"	"	"	"	"	"	"	"	"	"	6.9
"	160	"	"	"	"	"	"	"	"	"	"	"	"	6.0
"	200	"	"	"	"	"	"	"	"	"	"	"	"	5.3
M 112	80	32	40	6	21	15	65	36	30	60	70	15	112	14.0
"	100	"	"	"	"	"	"	"	"	"	"	"	"	12.0
"	125	"	"	"	"	"	"	"	"	"	"	"	"	10.4
"	160	"	"	"	"	"	"	"	"	"	"	"	"	9.0
"	200	"	"	"	"	"	"	"	"	"	"	"	"	7.9
M 160	100	37	50	7	25	18	77	43	36	70	85	18	160	18.9
"	125	"	"	"	"	"	"	"	"	"	"	"	"	16.3
"	160	"	"	"	"	"	"	"	"	"	"	"	"	14.0
"	200	"	"	"	"	"	"	"	"	"	"	"	"	12.2
"	250	"	"	"	"	"	"	"	"	"	"	"	"	11.0
M 224	125	43	60	8	30	21	84	50	42	85	100	21	224	25.8
"	160	"	"	"	"	"	"	"	"	"	"	"	"	22.0
"	200	"	"	"	"	"	"	"	"	"	"	"	"	19.0
"	250	"	"	"	"	"	"	"	"	"	"	"	"	16.7
"	315	"	"	"	"	"	"	"	"	"	"	"	"	14.9
M 315	160	48	70	10	36	25	97	60	50	100	120	25	315	33.3
"	200	"	"	"	"	"	"	"	"	"	"	"	"	28.7
"	250	"	"	"	"	"	"	"	"	"	"	"	"	25.2
"	315	"	"	"	"	"	"	"	"	"	"	"	"	22.3
"	400	"	"	"	"	"	"	"	"	"	"	"	"	20.0