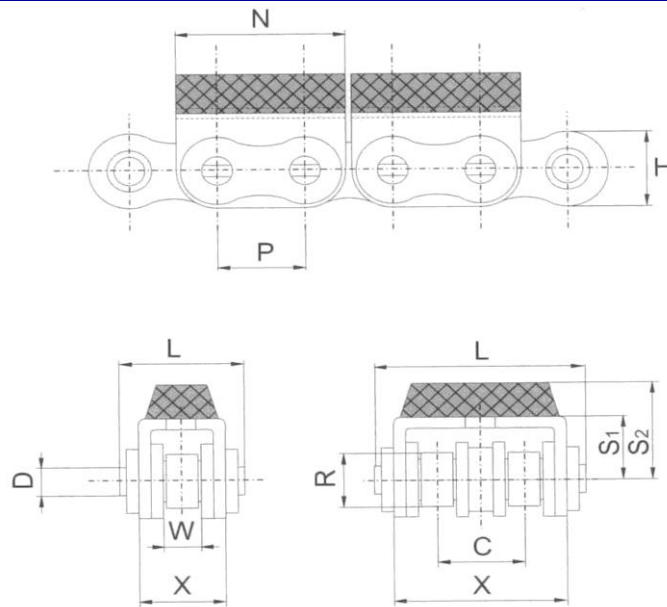


Special Chain with "U" and Rubber elements - Model UG1

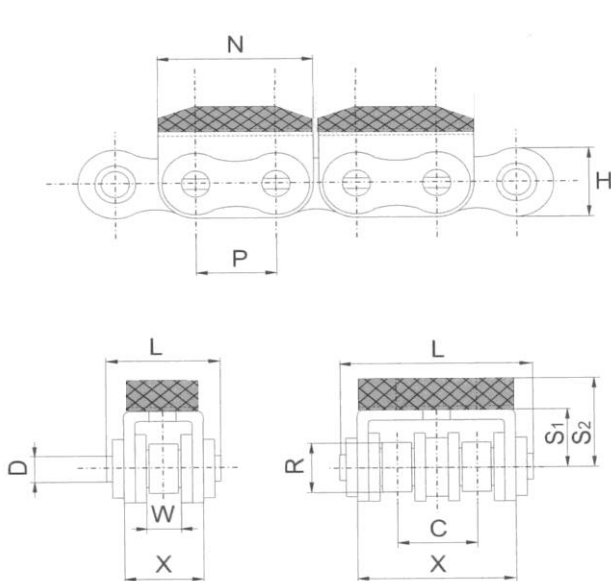
UG1



Roller Chain Model	Pitch	Working dimension	Roller diameter	Pin diameter	Height of plate links	Pin length	"U" profil	"U" profil	"U" profil Height	"U" profil Height	Transv. Pitch	Min. Tensile strength
	P	W	R	D	H	L	X	N	S1	S2	C	kN
08B-1/UG1	12,700	7,75	8,51	4,45	11,80	20,40	14,40	24,00	9,80	14,30	-	14,60
10B-1/UG1	15,875	9,65	10,16	5,08	14,70	22,80	16,40	30,00	10,60	17,00	-	18,20
12B-1/UG1	19,050	11,68	12,07	5,72	16,00	26,50	19,40	35,00	13,00	21,00	-	23,60
16B-1/UGS	25,400	17,02	15,88	8,28	21,00	39,20	29,40	49,00	15,40	21,40	-	58,00
08B-2/UG1	12,700	7,75	8,51	4,45	11,80	34,40	28,40	24,00	8,00	12,50	13,92	28,60
12B-2/UG2	19,050	11,68	12,07	5,72	16,00	46,50	39,40	35,00	13,00	28,00	19,46	46,60

Special Chain with "U" and Rubber elements - Model UGS / UG2

UGS



UG2

